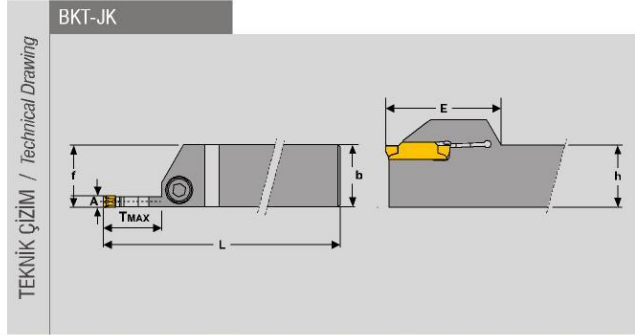


TAKIM KOD NO / ordering code	KATER ÖLÇÜLERİ / dimension (mm)							KESİCİ UÇ insert	YEDEK PARÇALARI / spare parts	
	h	b	L	f	E	A	Tmax		BASKI VİDASI screw	ANAHTAR allen key
BKT IS 2020 2C	20	20	125	20	37	1,8	17	2C	BBV M6	AA 5
BKT IS 2525 2C	25	25	150	25	37	1,8	17			
BKT IS 2020 3C	20	20	125	20	39	2,5	20	3C	BBV M6	AA 5
BKT IS 2525 3C	25	25	150	25	39	2,5	20			
BKT IS 2020 4C	20	20	125	20	45	3	20	4C	BBV M6	AA 5
BKT IS 2525 4C	25	25	150	25	45	3	20			
BKT IS 2525 5C	25	25	150	25	56	4,2	22	5C	BBV M6	AA 5



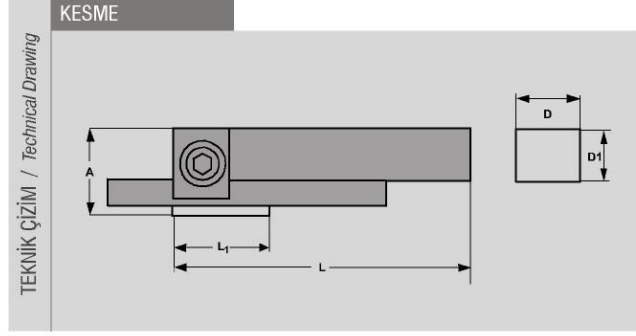
TAKIM KOD NO / ordering code	KATER ÖLÇÜLERİ / dimension (mm)							KESİCİ UÇ insert	YEDEK PARÇALARI / spare parts	
	h	b	L	f	E	A	Tmax		BASKI VİDASI screw	ANAHTAR allen key
BKT JK 1616 2C	16	16	100	16	37	1,8	17	2C	BBV M6	AA 5
BKT JK 2020 2C	20	20	125	20	37	1,8	17			
BKT JK 2525 2C	25	25	150	25	39	2,5	20	3C	BBV M6	AA 5
BKT JK 2020 3C	20	20	125	20	39	2,5	20			
BKT JK 2525 3C	25	25	150	25	45	3	25	4C	BBV M6	AA 5
BKT JK 2020 4C	20	20	125	20	45	3	25			
BKT JK 2525 4C	25	25	150	25	45	4	25	5C	BBV M6	AA 5
BKT JK 2020 5C	20	20	125	20	56	4,2	25			
BKT JK 2525 5C	25	25	150	25	56	2,5	30	6C	BBV M6	AA 5
BKT JK 2525 6C	25	25	150	25	56	2,5	30			



KESME - PASO / Cutting - Pass



ÜRÜN RESMİ / Product Picture

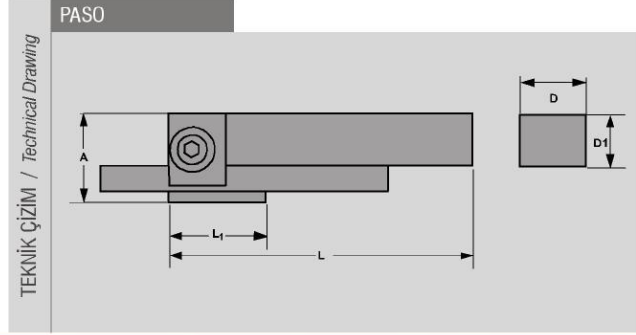


TEKNİK ÇİZİM / Technical Drawing

TAKIM KOD NO / ordering code	KESME	KATER ÖLÇÜLERİ dimension (mm)					KESİCİ UÇ insert	YEDEK PARÇALARI / spare parts	
		A	D	D1	L	L1		BAĞLAMA CİVATASI clamping screw	ANAHTAR Allen key
	KESME 1/2	26	22	16	130	50	12.7X3-4	BBV M8	AA 6
	KESME 5/8	32	22	16	130	50	15.8X3-4		
	KESME 3/4	36	25	18	150	50	19X3-4.5		
	KESME 7/8	38	25	18	150	50	22X4-5		
	KESME 1	45	25	18	150	50	25X4-5	BBV M8	AA 6



ÜRÜN RESMİ / Product Picture



TEKNİK ÇİZİM / Technical Drawing

TAKIM KOD NO / ordering code	PASO	KATER ÖLÇÜLERİ dimension (mm)					KESİCİ UÇ insert	YEDEK PARÇALARI / spare parts	
		A°	D	D1	L	L1		BAĞLAMA CİVATASI clamping screw	ANAHTAR Allen key
	PASO 6 x 6	26	22	16	150	50	6X6-8X8		
	PASO 8 x 10	28	22	16	150	50	8X8-10X10		
	PASO 10 x 12	30	22	16	150	50	10X10-12X12	BBV M8	AA 6
	PASO 12 x 14	32	22	16	150	50	12X12-14X14		

www.timaxip.com | www.bahçivanmekine.com

**TIMAXIP**

34

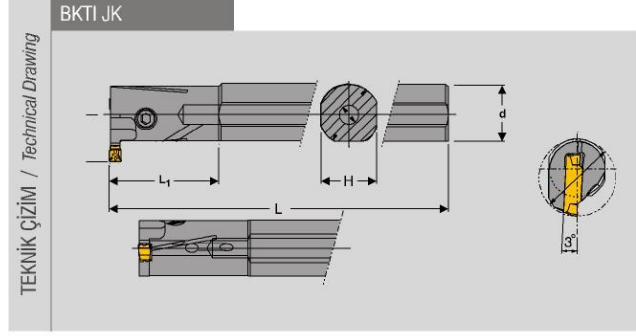




İÇ ÇAP KANAL KATERLERİ / Internal Threading Toolholders



ÜRÜN RESMİ / Product Picture

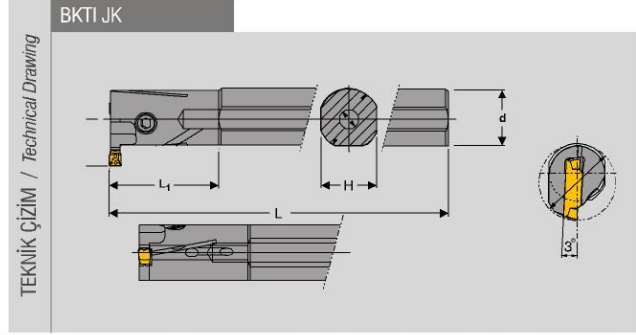


TEKNİK ÇİZİM / Technical Drawing

TAKIM KOD NO / ordering code	KATER ÖLÇÜLERİ dimension (mm)	KESİCİ UÇ insert	YEDEK PARÇALARI / spare parts			
			RASKI VIDASI screw	ALTLIK shim	ALTLIK VIDASI shim screw	ANAHTAR allen key
BKTİ JK S16Q 2C	180 35 16 11 14	2C	BBV M5			AA 4
BKTİ JK S20R 2C	190 35 20 13 18	2C	BBV M5			AA 4
BKTİ JK S25R 2C	200 35 25 17 23	2C	BBV M5			AA 4
BKTİ JK S20Q 3C	190 35 20 13 18	3C	BBV M5			AA 4



ÜRÜN RESMİ / Product Picture



TEKNİK ÇİZİM / Technical Drawing

TAKIM KOD NO / ordering code	KATER ÖLÇÜLERİ dimension (mm)	KESİCİ UÇ insert	YEDEK PARÇALARI / spare parts			
			RASKI VIDASI screw	ALTLIK shim	ALTLIK VIDASI shim screw	ANAHTAR allen key
BKTİ JK S25Q 3C	200 35 25 17 23	3C	BBV M5			AA 4
BKTİ JK S20R 4C	190 35 20 13 18	4C	BBV M5			AA 4
BKTİ JK S25R 4C	200 35 25 17 23	4C	BBV M5			AA 4
BKTİ JK S25Q 5C	190 35 25 17 23	5C	BBV M5			AA 4

www.timaxip.com | www.bahçivanmekine.com

**TIMAXIP**

36

